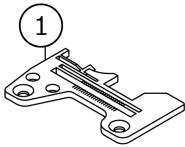


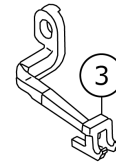
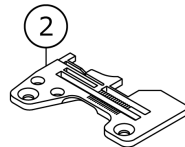
MOR-3900 SUBCLASSES/MOR-3904/MOR-3905

MOR-3900 SUBCLASSES (1)

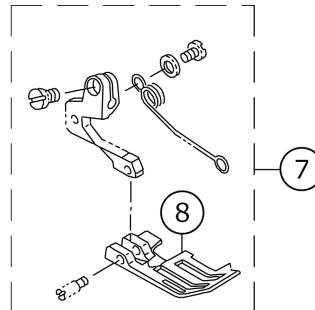
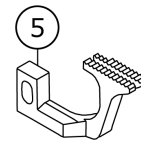
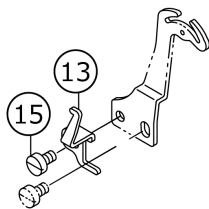
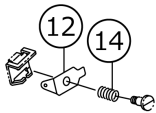
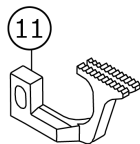
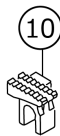
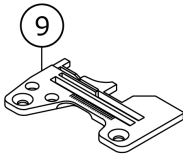
MOR-3904-0D4-300
MOR-3904E-0D4-300



MOR-3904-0F4-300
MOR-3904E-0F4-300



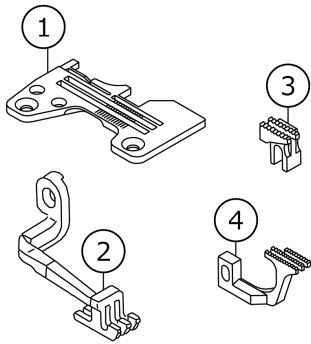
MOR-3904B-0D4-306



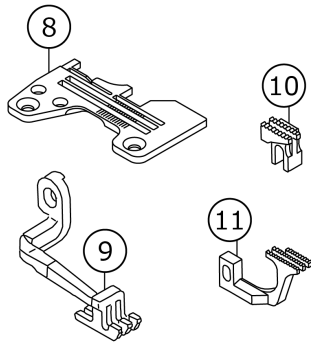
No.	品番	品名	備考	子部品	消耗品	個数
1	R4200J0DD00	HROAT PLATE				1.00
2	R4200J0FD0B	THROAT PLATE				1.00
3	11936705	TOP FEED DOG				1.00
4	11597101	MAIN FEED DOG				1.00
5	B1657814B0E	DIFFERENTIAL FEED DOG				1.00
6	11991809	GAUGE				1.00
7	11932159	PRESSER FOOT ASM.				1.00
8	11926003	PRESSER FOOT		*		1.00
9	R4200J0DD0C	THROAT PLATE				1.00
10	11597101	MAIN FEED DOG				1.00
11	11886207	DIFFERENTIAL FEED DOG				1.00
12	12112504	NEEDLE THREAD PRESSER PLATE C				1.00
13	12304705	DIFFERENTIAL FEED CAM				1.00
14	12112702	NEEDLE THREAD PRESSER SPRING B				1.00
15	SS6090620TP	SCREW				1.00

MOR-3900 SUBCLASSES (2)

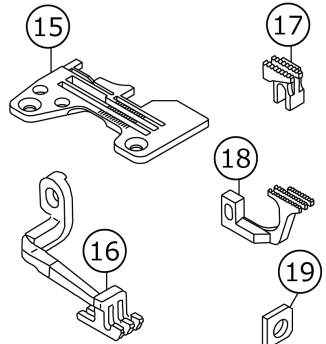
MOR-3904-0D6-300
MOR-3904E-0D6-300



MOR-3904-0E6-300
MOR-3904E-0E6-300



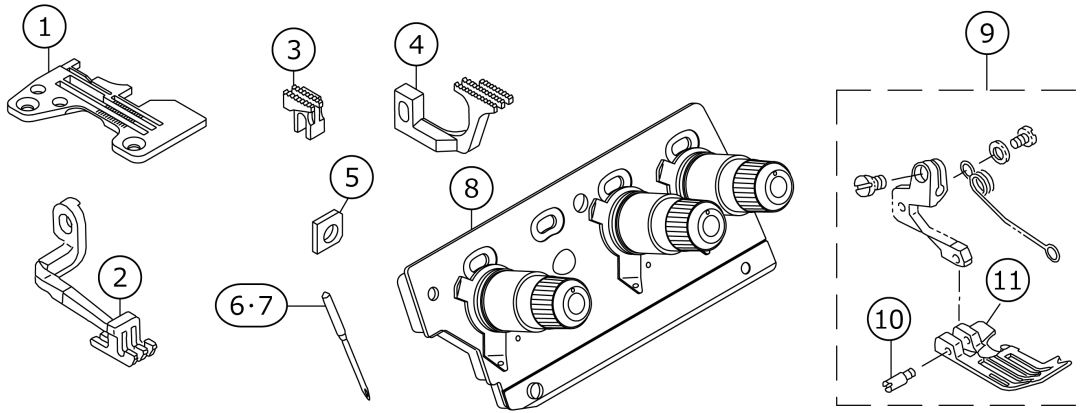
MOR-3904-0F6-300
MOR-3904E-0F6-300



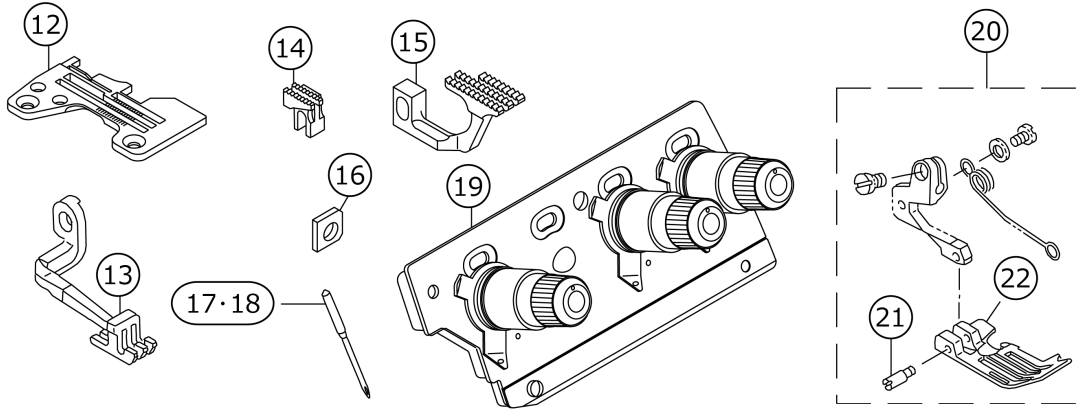
No.	品番	品名	備考	子部品	消耗品	個数
1	R4300J0DE00	THROAT PLATE				1.00
2	11936804	TOP FEED DOG				1.00
3	11882206	MAIN FEED DOG				1.00
4	11885100	DIFFERENTIAL FEED DOG				1.00
5	12320453	PRESSER FOOT ASM.				1.00
6	11930609	HINGE PIN		*		1.00
7	12320404	PRESSER FOOT		*		1.00
8	R4300J0EE00	THROAT PLATE				1.00
9	11936804	TOP FEED DOG				1.00
10	11882206	MAIN FEED DOG				1.00
11	11885100	DIFFERENTIAL FEED DOG				1.00
12	12320453	PRESSER FOOT ASM.				1.00
13	11930609	HINGE PIN		*		1.00
14	12320404	PRESSER FOOT		*		1.00
15	R4300J0FE0B	THROAT PLATE				1.00
16	11936804	TOP FEED DOG				1.00
17	11882206	MAIN FEED DOG				1.00
18	11885100	DIFFERENTIAL FEED DOG				1.00
19	11991809	GAUGE				1.00
20	11932258	PRESSER FOOT ASM.				1.00
21	11930609	HINGE PIN		*		1.00
22	11926102	PRESSER FOOT		*		1.00

MOR-3900 SUBCLASSES (3)

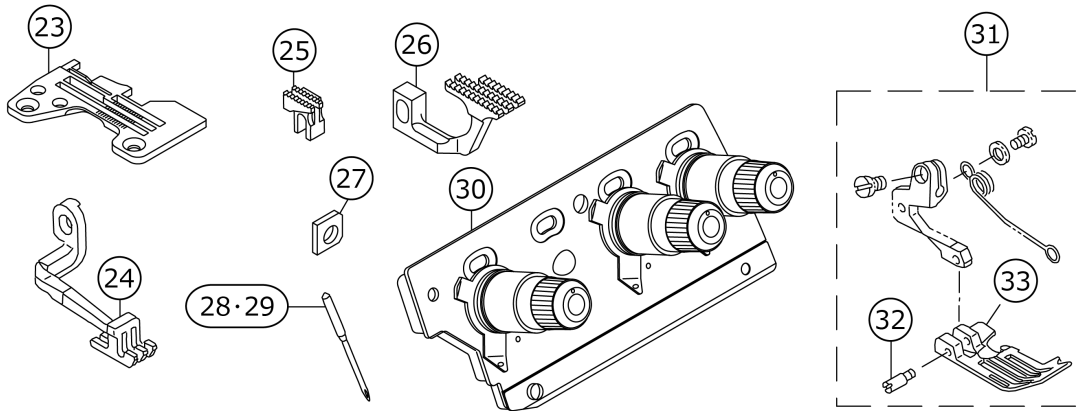
MOR-3904-0F6-500
MOR-3904E-0F6-500



MOR-3904-0G6-500
MOR-3904E-0G6-500



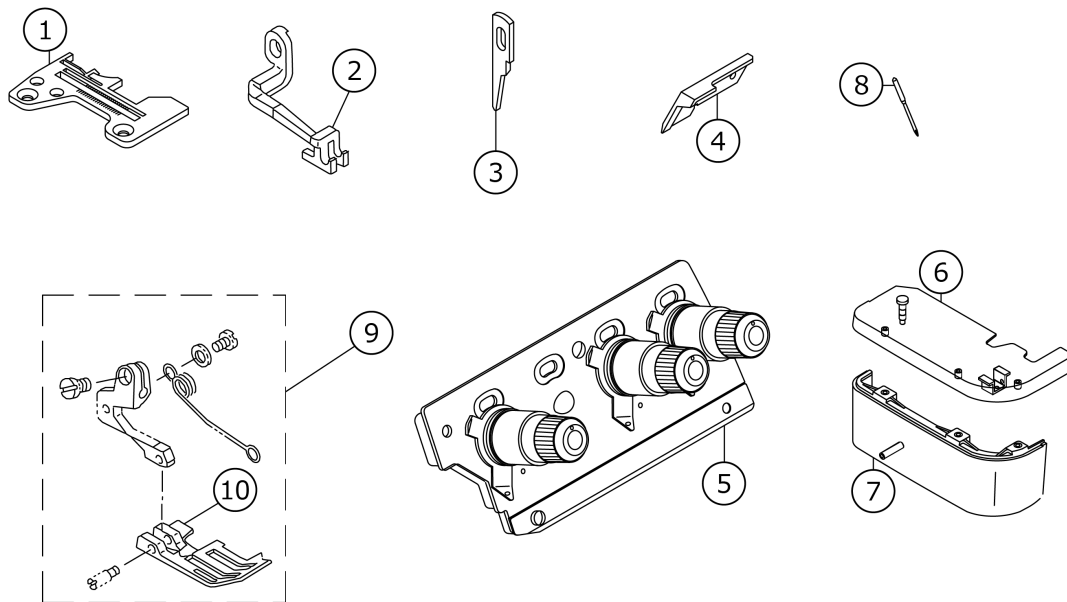
MOR-3904-0H6-500
MOR-3904E-0H6-500



No.	品番	品名	備考	子部品	消耗品	個数
1	R4300J0FE0B	THROAT PLATE				1.00
2	11936804	TOP FEED DOG				1.00
3	11883303	MAIN FEED DOG				1.00
4	11885605	DIFFERENTIAL FEED DOG				1.00
5	11991809	GAUGE				1.00
6	MDC270B1400	NEEDLE DCX27 #14				1.00
7	MC033600900	NEEDLE B-27 NM90	FOR JE			1.00
8	12180469	THREAD GUIDE PLATE ASM.				1.00
9	11932258	PRESSER FOOT ASM.				1.00
10	11930609	HINGE PIN		*		1.00
11	11926102	PRESSER FOOT		*		1.00
12	R4300J0GE00	THROAT PLATE				1.00
13	11936804	TOP FEED DOG				1.00
14	11883303	MAIN FEED DOG				1.00
15	12171708	DIFFERENTIAL FEED DOG				1.00
16	11991809	GAUGE				1.00
17	MDC270B1400	NEEDLE DCX27 #14				1.00
18	MC033600900	NEEDLE B-27 NM90	FOR JE			1.00
19	12180469	THREAD GUIDE PLATE ASM.				1.00
20	11932258	PRESSER FOOT ASM.				1.00
21	11930609	HINGE PIN		*		1.00
22	11926102	PRESSER FOOT		*		1.00
23	R4300J0HE00	THROAT PLATE				1.00
24	11936804	TOP FEED DOG				1.00
25	11883303	MAIN FEED DOG				1.00
26	12171708	DIFFERENTIAL FEED DOG				1.00
27	11991809	GAUGE				1.00
28	MDC270B1400	NEEDLE DCX27 #14				1.00
29	MC033600900	NEEDLE B-27 NM90	FOR JE			1.00
30	12180469	THREAD GUIDE PLATE ASM.				1.00
31	11932258	PRESSER FOOT ASM.				1.00
32	11930609	HINGE PIN		*		1.00
33	11926102	PRESSER FOOT		*		1.00

MOR-3900 SUBCLASSES (4)

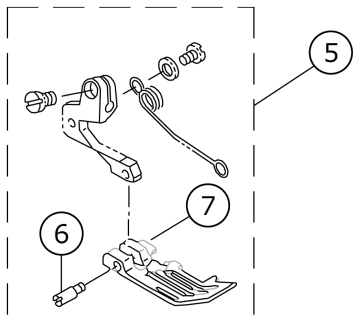
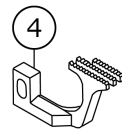
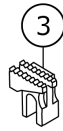
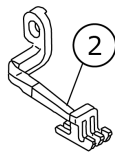
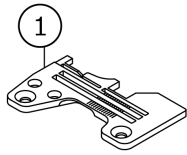
MOR-3905-0D4-210
MOR-3905E-0D4-210
MOR-3905-0E4-210
MOR-3905E-0E4-210



No.	品番	品名	備考	子部品	消耗品	個数
1	R4200J0DD00	THROAT PLATE	FOR MOR-3905-0 D4-210,MOR-390 5E-0D4-210.			1.00
2	11939311	TOP FEED DOG				1.00
3	11845708	KNIFE	FOR DOMESTIC USE			1.00
4	11845906	UPPER KNIFE	FOR EXPORT			1.00
5	12180568	THREAD GUIDE PLATE ASM.				1.00
6	12105557	CLOTH PLATE ASM.				1.00
7	12104709	CLOTH PLATE COVER				1.00
8	MDC270B0900	NEEDLE DCX27 #9				1.00
9	11935764	PRESSER ASM.				1.00
10	11929213	PRESSER FOOT		*		1.00

MOR-3900 SUBCLASSES (5)

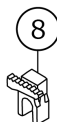
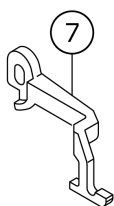
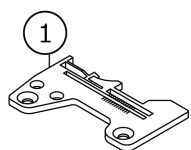
MOR-3904-0E6-320
MOR-3904E-0E6-320



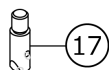
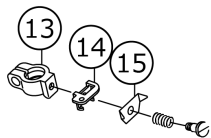
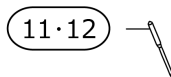
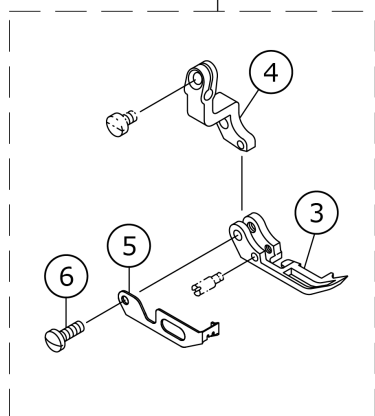
No.	品番	品名	備考	子部品	消耗品	個数
1	R4300J0EE00	THROAT PLATE				1.00
2	12330304	TOP FEED DOG				1.00
3	11882206	MAIN FEED DOG				1.00
4	11885100	DIFFERENTIAL FEED DOG				1.00
5	12320453	PRESSER FOOT ASM.				1.00
6	11930609	HINGE PIN		*		1.00
7	12320404	PRESSER FOOT		*		1.00

MOR-3900 SUBCLASSES (6)

MOR-3904E-0H4-50M



2



No.	品番	品名	備考	子部品	消耗品	個数
1	R4200J0HG00	THROAT PLATE				1.00
2	11946860	PRESSER FOOT ASM. (WITH GUARD)				1.00
3	11946803	PRESSER FOOT		*		1.00
4	11946902	PRESSER HINGE		*		1.00
5	11948908	FINGER GUARD		*		1.00
6	SS7091110SP	SCREW 9/64-40 L=10.5		*		1.00
7	11947207	TOP FEED DOG				1.00
8	11947009	MAIN FEED DOG				1.00
9	11947108	DIFFERENTIAL FEED DOG				1.00
10	11991809	GAUGE				1.00
11	MDC270B1600	NEEDLE DCX27 #16				1.00
12	MC033601000	NEEDLE B-27 NM100	FOR JE			1.00
13	12304309	NEEDLE CLAMP HOLDER				1.00
14	12304408	NEEDLE THREAD PRESSER GUIDE				1.00
15	12304507	NEEDLE THREAD PRESSER PLATE				1.00
16	12304606	TAKE-UP LEVER GUIDE				1.00
17	12303905	1-NEEDLE, NEEDLE CLAMP				1.00

HOW TO MAKE USE OF THIS PARTS LIST

1.Explanation of codes

1)"*"mark.....means this part is changed from the previous parts book.

As to the details of the change, refer to the "List for information of change".

2)"#01".....refer to "Note" explanation at bottom of page.

2.Codes on the "Qty" column

· Each numeral indicates the number of parts required.

· "0.1" and "2.5" indicate the length (in meters) of the respective parts.

3.Parentheses mean that the corresponding part is a subpart that constructs an assembly part.

4.Dotted lines on the Figures indicate assembly parts.

1."注記"欄の記号説明

1) "*"印.....前回のパーツブックに比較して今回変更された部品を意味します。

変更内容は、"変更情報リスト"を参照してください。

2) "#01".....ページ下の"注記"の説明を参照してください。

2.数量欄の数字は、個数を表し、0.1、2.5等の数値は、長さ（単位メートル）を表します。

3.数量欄の（ ）は、組部品を構成している子部品であることを意味します。

4.イラストページの-----枠は、組構成であることを意味します。